



CHESAPEAKE BAY SEPTIC TANK, LLC

Septic Installers' Local Distributor for Monarch Products Co. Inc.
Precast Concrete Products

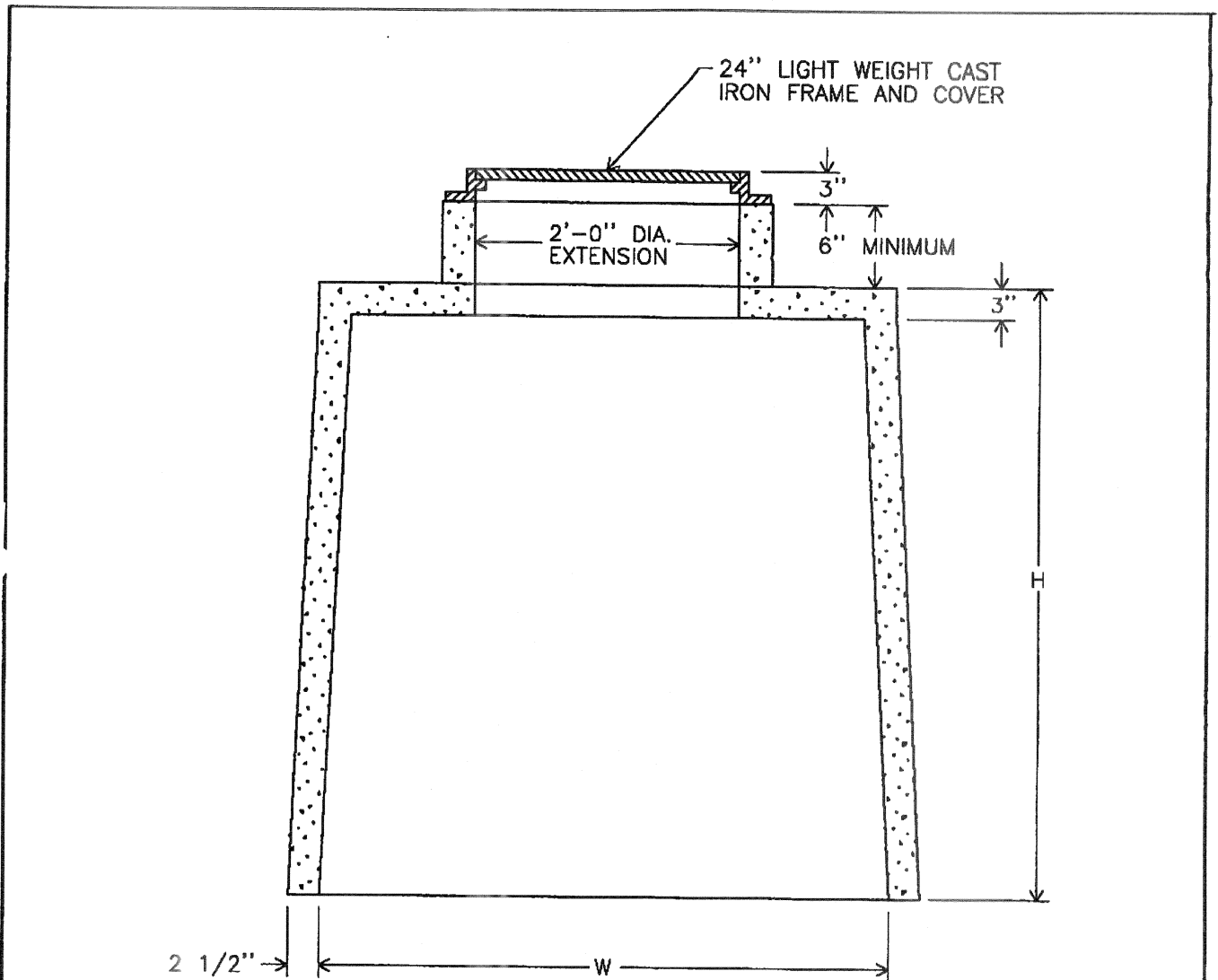
Miscellaneous

M-1	Meter Pits
M-6	Meter Pit
BB-1	Bumper Block
LM-1	Land Markers
LR-1	Leaching Rings Non-Traffic Rated
LR-2	Leaching Rings Non-Traffic Rated
LR-3	21" x 21" Leaching Box
RD-1	Rain Drain
Yarddrain	Yard Drain
CT-1	Conversion Table for Round Tanks
PermEntry	



CHESAPEAKE BAY SEPTIC TANK, LLC

Septic Installers' Local Distributor for Monarch Products Co. Inc.
Precast Concrete Products



-SECTION-

METER PIT SIZE	W	H
3 FT. DIAMETER	3'-4"	3'-7"
4 FT. DIAMETER	4'-0"	4'-5"
5 FT. DIAMETER	5'-0"	5'-0"

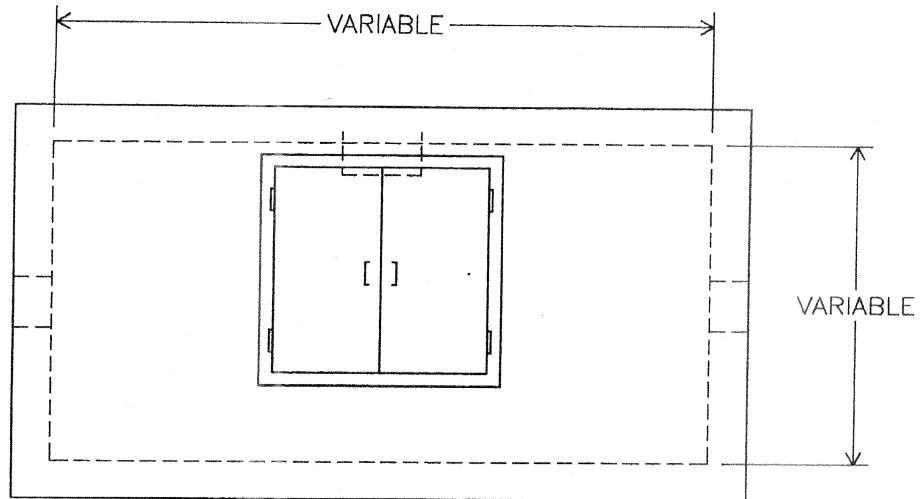
PRECAST METER PITS

DWG. M-1



CHESAPEAKE BAY SEPTIC TANK, LLC

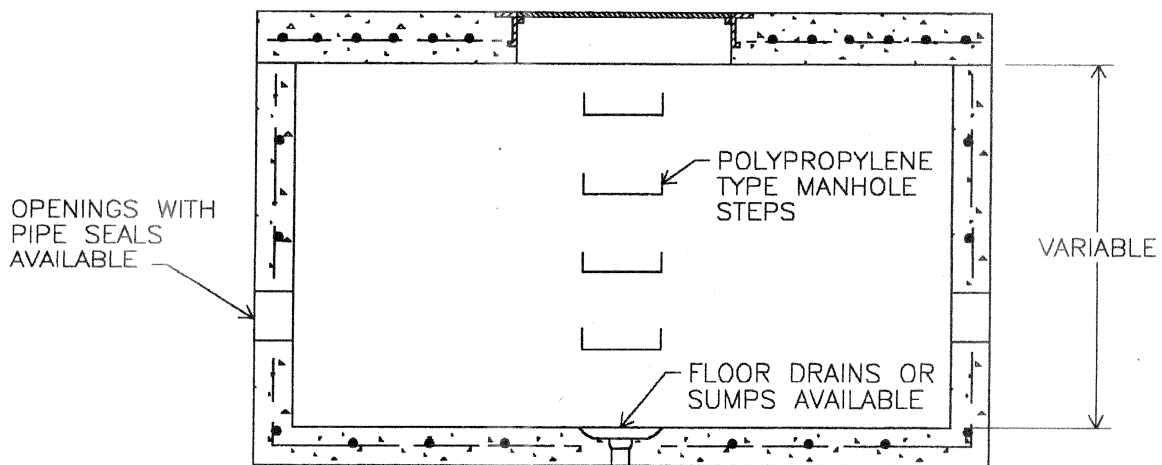
Septic Installers' Local Distributor for Monarch Products Co. Inc.
Precast Concrete Products



-PLAN-

*RECTANGULAR ALUMINUM
ACCESS HATCHES OR ROUND
CAST IRON FRAMES AND
COVERS AVAILABLE

* LOCATION AND SIZE OF HOLES,
WALL THICKNESS AND
REINFORCEMENT TO COMPLY
WITH JOB REQUIREMENTS



-SECTION-

BASE OPTIONAL

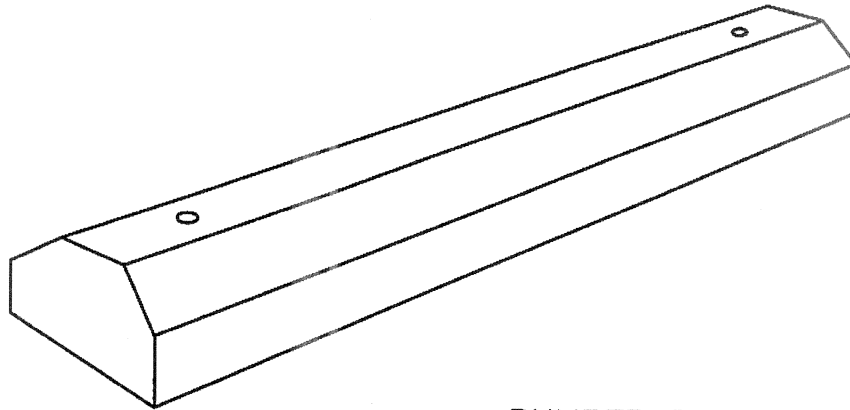
PRECAST METER PIT

DWG. M-6



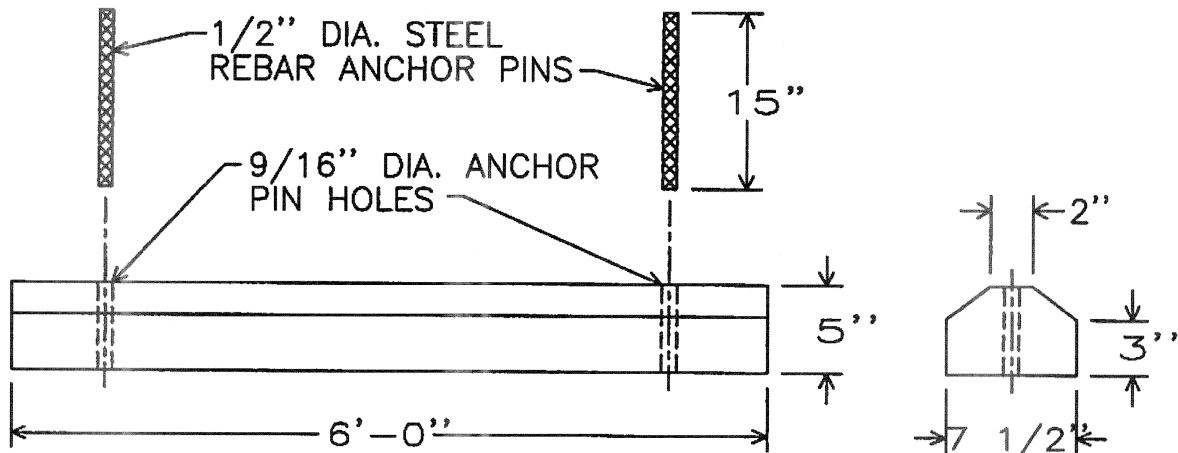
CHESAPEAKE BAY SEPTIC TANK, LLC

Septic Installers' Local Distributor for Monarch Products Co. Inc.
Precast Concrete Products



BUMPER BLOCK FEATURES:

- 3500 P.S.I. CONCRETE
- REINFORCED WITH 2-#4 BARS



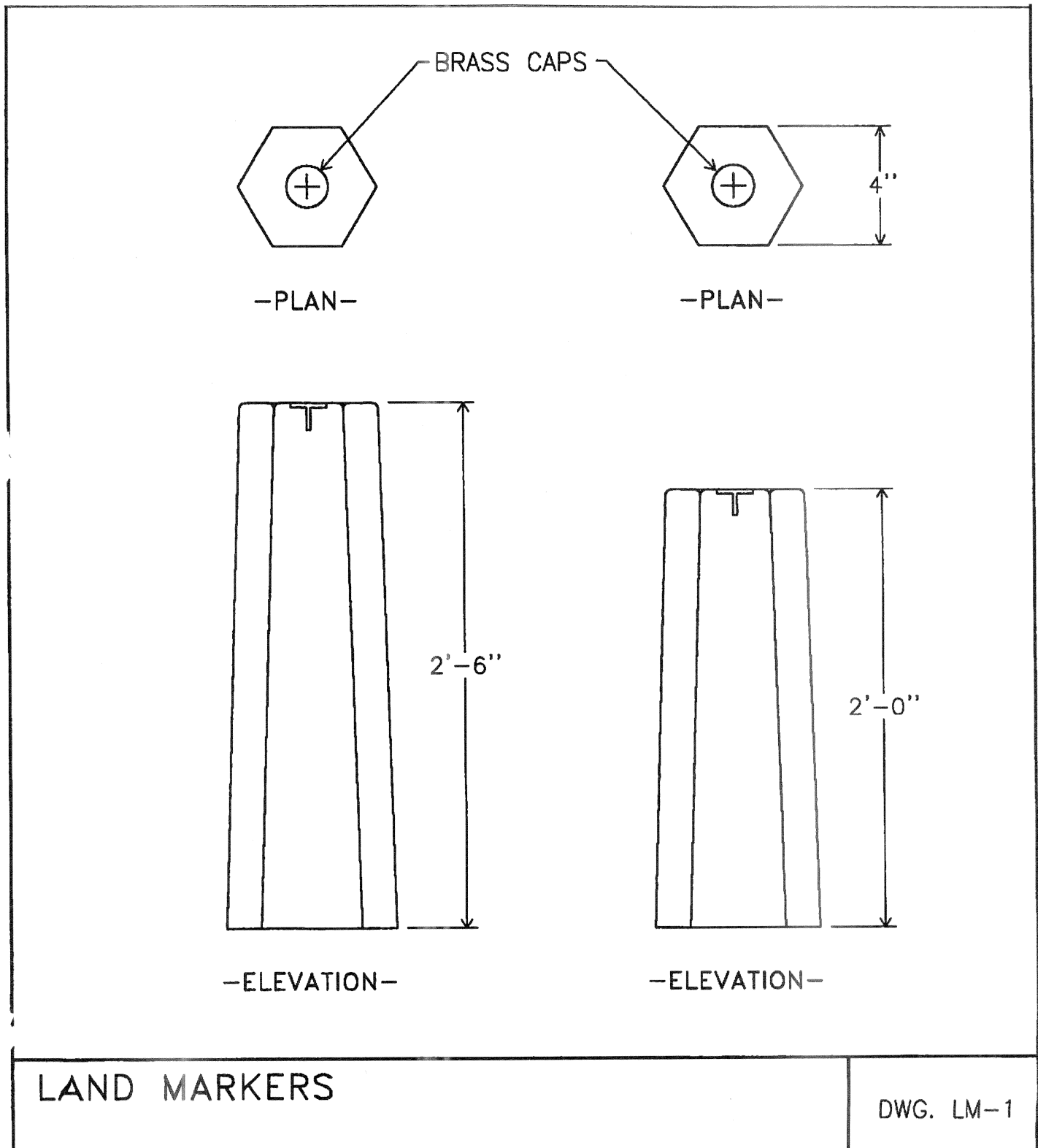
PRECAST BUMPER BLOCK

DWG. BB-1



CHESAPEAKE BAY SEPTIC TANK, LLC

Septic Installers' Local Distributor for Monarch Products Co. Inc.
Precast Concrete Products



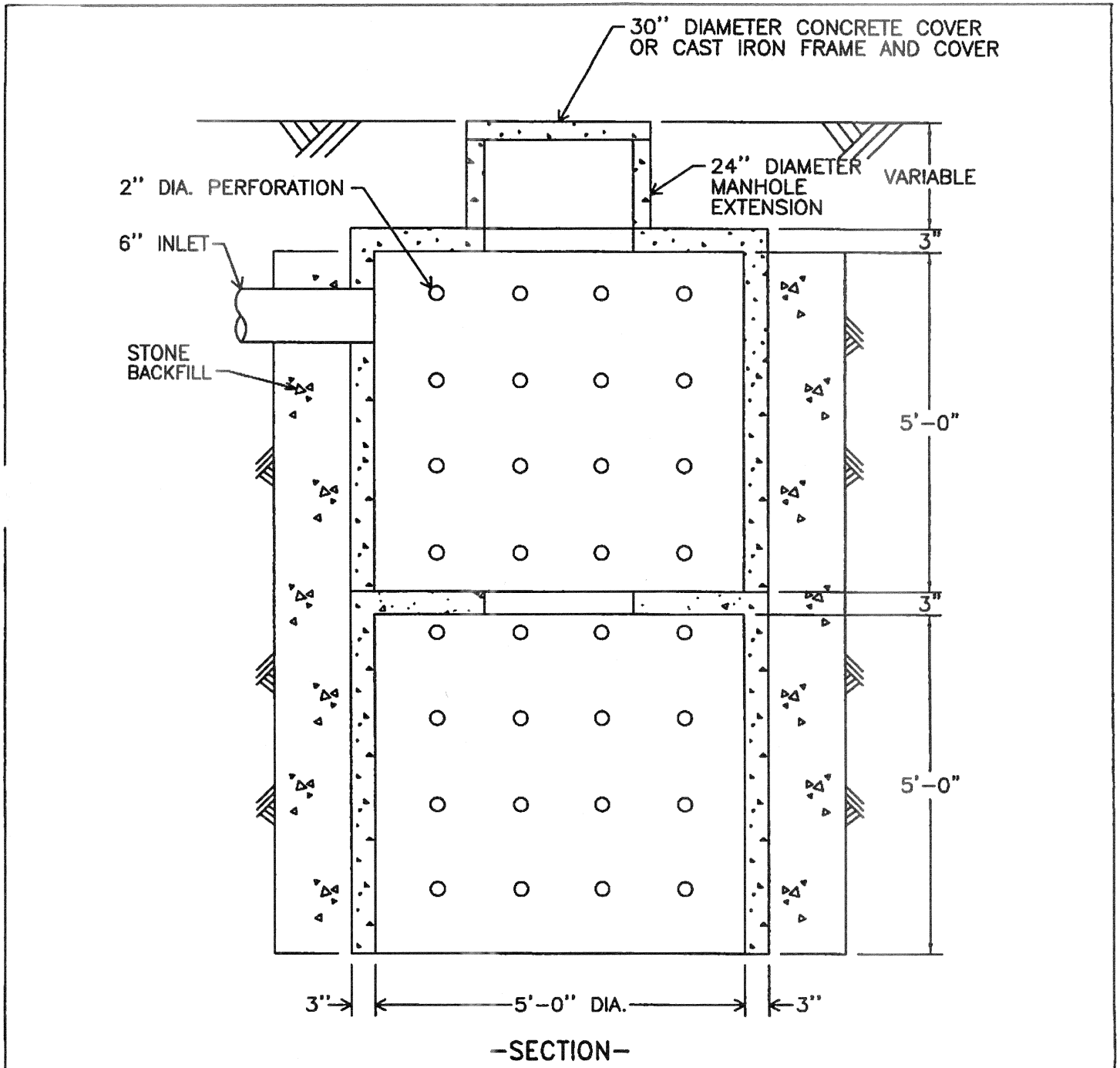
LAND MARKERS

DWG. LM-1



CHESAPEAKE BAY SEPTIC TANK, LLC

Septic Installers' Local Distributor for Monarch Products Co. Inc.
Precast Concrete Products



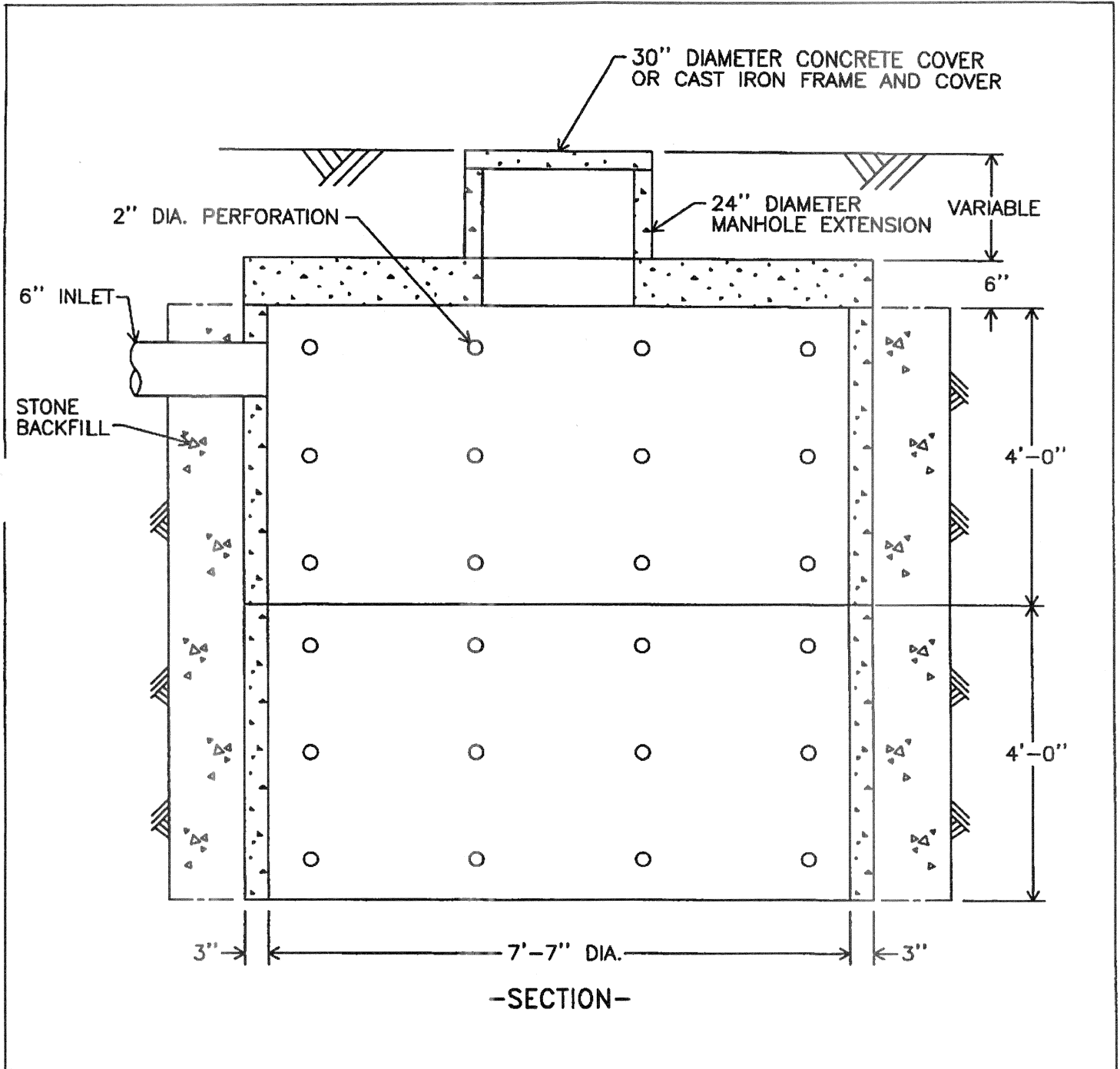
PRECAST LEACHING RINGS
NON-TRAFFIC RATED

DWG. LR-1



CHESAPEAKE BAY SEPTIC TANK, LLC

Septic Installers' Local Distributor for Monarch Products Co. Inc.
Precast Concrete Products



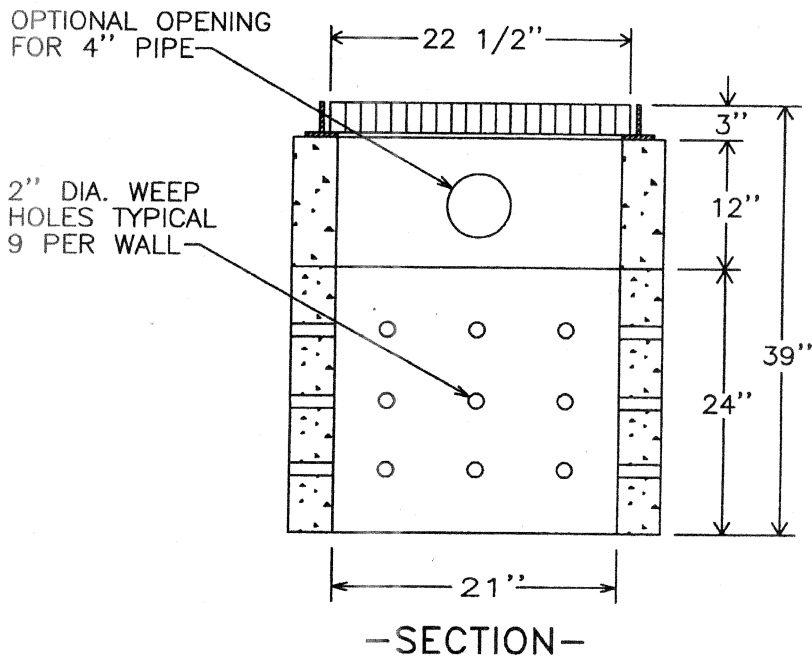
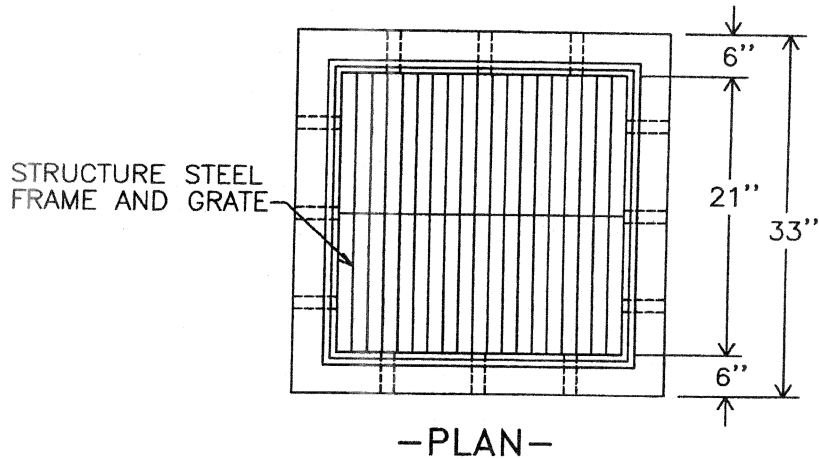
PRECAST LEACHING RINGS
NON-TRAFFIC RATED

DWG. LR-2



CHESAPEAKE BAY SEPTIC TANK, LLC

Septic Installers' Local Distributor for Monarch Products Co. Inc.
Precast Concrete Products



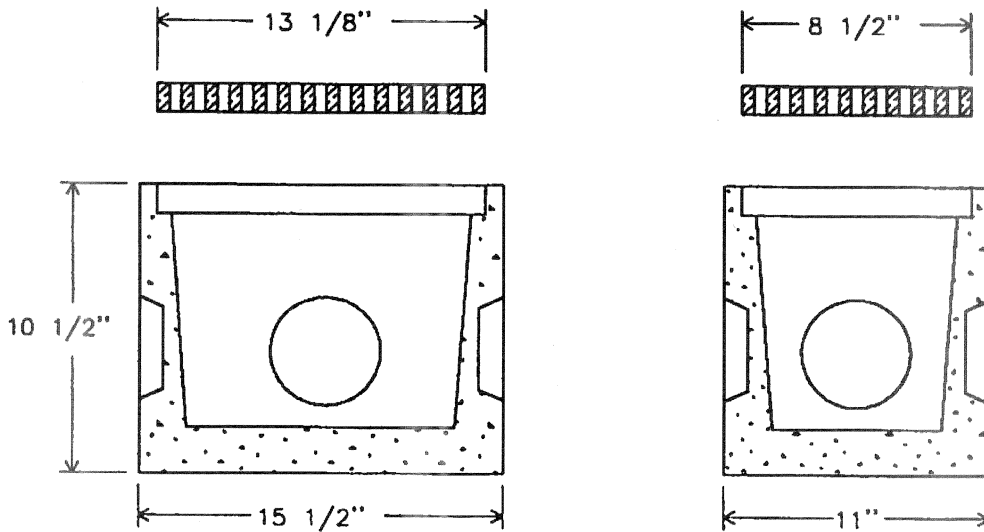
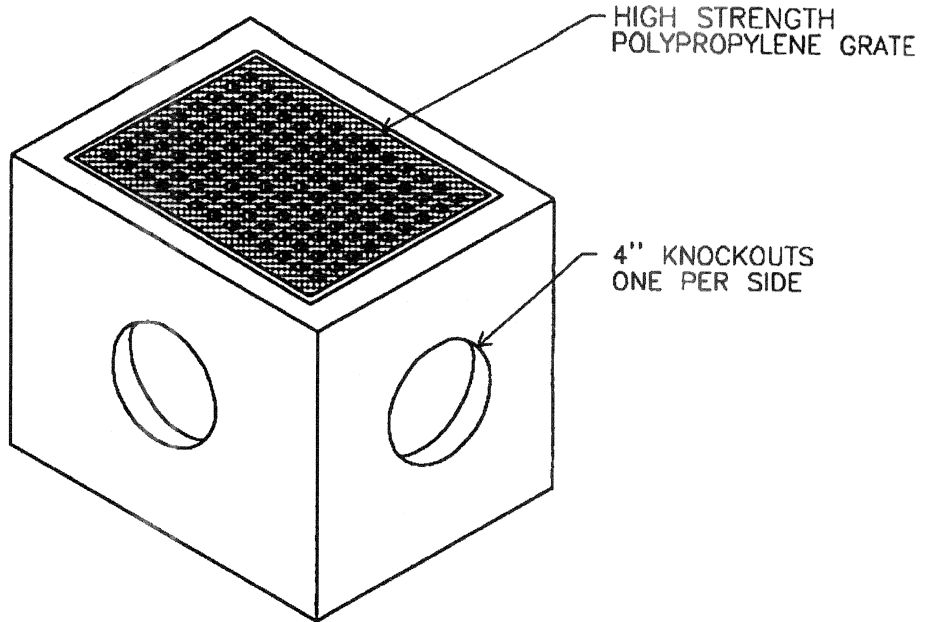
21" X 21" PRECAST CONCRETE
LEACHING BOX

DWG. LR-3



CHESAPEAKE BAY SEPTIC TANK, LLC

Septic Installers' Local Distributor for Monarch Products Co. Inc.
Precast Concrete Products



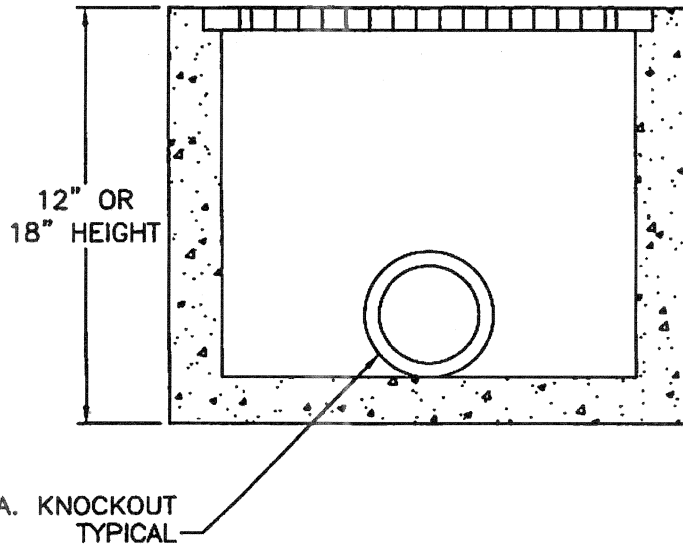
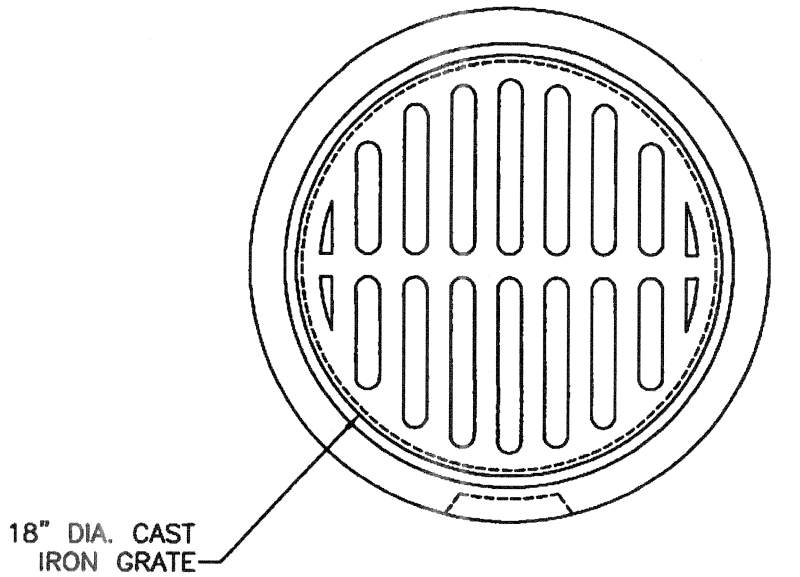
PRECAST CONCRETE RAIN DRAIN

DWG. RD-1



CHESAPEAKE BAY SEPTIC TANK, LLC

Septic Installers' Local Distributor for Monarch Products Co. Inc.
Precast Concrete Products



PRECAST YARD DRAIN

DWG. YARDDRAIN